

NDI Line Product

BOLIN

**NDI High Bandwidth
Outdoor PTZ Camera**



EXU420N

4K60 Outdoor NDI PTZ Camera

The EXU420N outdoor NDI High Bandwidth 4K60 PTZ camera is equipped with Sony 4K sensor with 20x zoom range to provide 4K60 high-quality Ultra High-Definition image to output HDMI, 12G-SDI, Optical SDI, and NDI IP video streaming for NDI® and are fully compatible with NDI-enabled hardware and software for Live production in outdoor environment and even in extreme weather condition.

KEY FEATURES

EXU420N



- NDI Certified, NDI 6 Ready, NDI HX3 Supported
- Sony 4K image sensor
- 20X zoom range
- Resolution 4K60, 1080i59.94, 1080p60
- IP Video Resolution: Up to 2160p60, 1080p60
- Video Output: Simultaneous 12G-SDI, HDMI2.0, NDI
- SFP Optical SDI video output
- RTSP, RTMP, SRT Supported
- Visca Ocer IP, Onvif, FreeD, Serial Control Supported
- Weather proof IP67 rated



IMAGE MODULE

- R9-420N 4K60 NDI PTZ Camera is equipped with Sony image sensor IMX715, and 8M ultra high resolution 20X optical lens, integrated with AI based algorithm ISP this image module delivers high quality and clean noiseless high speed 60fps UHD color image.
- The camera produces brilliant broadcast-quality color images in 4K60 and Full HD with excellent low-light sensitivity.
- 1/2.8 Inch CMX715 High Class Sensor
- Cristal 20X High Resolution optical zooms
- AI Face Detection Auto Focus/Exposure
- Super WDR
- Color Matrix
- Gamma Level

FPGA Hardware Codec



NDI High Bandwidth (NDI 6 Ready)

Interoperability | Low Latency | High Quality

EXU420N Output Interface

NDI High Bandwidth NDI 6 Ready	NDI HX3	RTSP, RTMP, RTMPS, SRT	True Dual-Output
Dual 12G-SDI	HDMI 2.0	SFP Optical SDI	Genlock
All Video with Audio Embedded	XLR Broadcast Audio Input/Output	FreeD	Serial/IP Control

Full Broadcast SDI Format and Standard

Full Format

3840 x 2160P 30/29.97/25/24/23.98
1920 x 1080P 60/59.94/50/30/29.97/25/24/23.98
1920 x 1080i 60/59.94/50
1280 x 720P 60/59.94/50

SDI Standard

SMPTE 292M
SMPTE 296M (1.5Gb/s)
SMPTE 424M
SMPTE 274M
SMPTE 425-A (3Gb/s)
SMPTE 2081(6Gb/s)
SMPTE 2082-1(12Gb/s)
With SMPTE352 SDI Metadata Supported

FEATURES

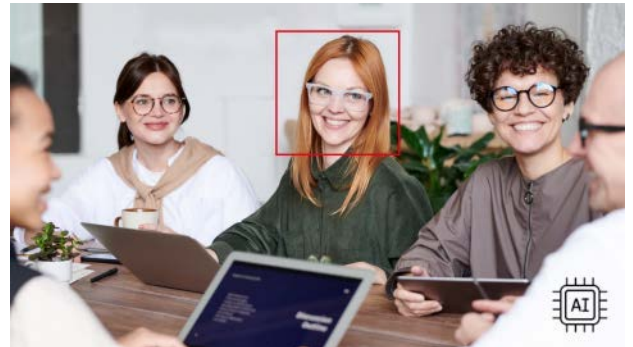
FreeD Protocol Integrated for VR/AR Video Production

FreeD helps provide all the axis data needed for a Bolin PTZ camera to intelligently and smoothly pan, tilt, and zoom while following designated objects and people. Broadcasters can combine Bolin's FreeD-enabled PTZ cameras with available, sophisticated software to automate complex camera operations with spectacular results. It is especially useful for virtual live video productions with baseband video feeds and, with Bolin PTZ cameras, with ultra-low latency AV Over IP streaming



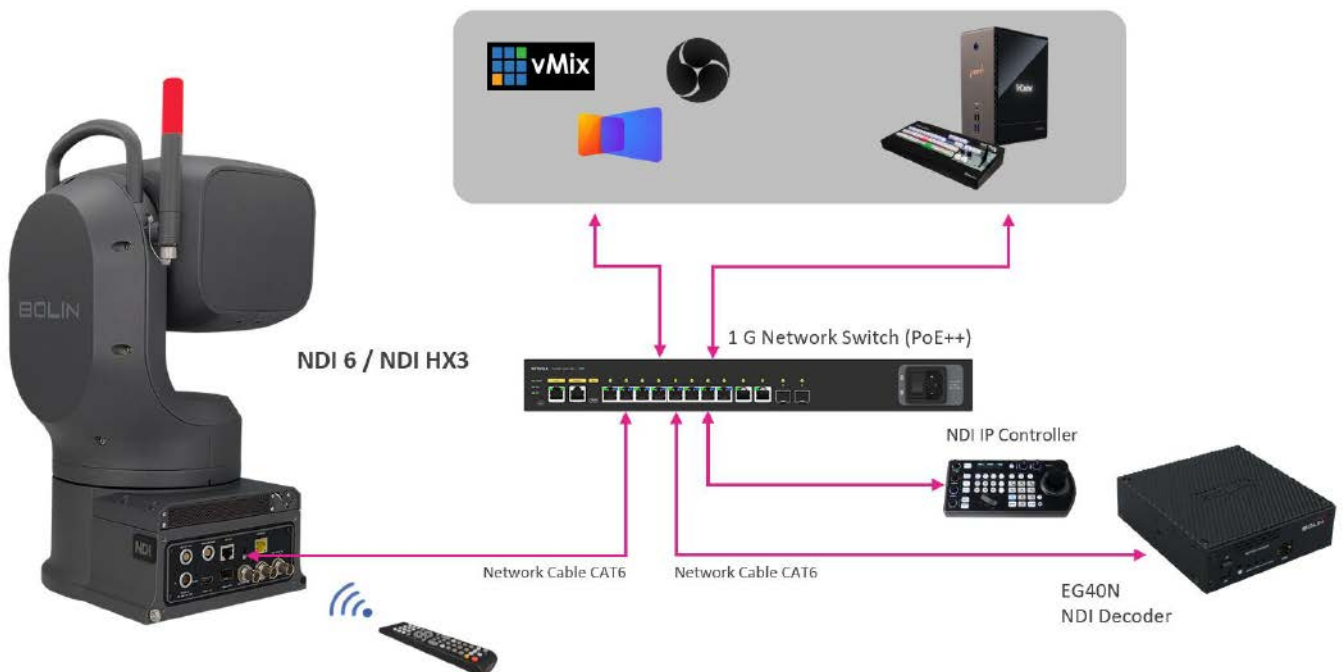
AI Powered Auto Focus and Auto Exposure

Built with Bolin's latest AI-powered facial analytics engine, which enables smart focus and smart exposure to provide faster, more precise focusing and improved auto exposure on faces in complex lighting environments.

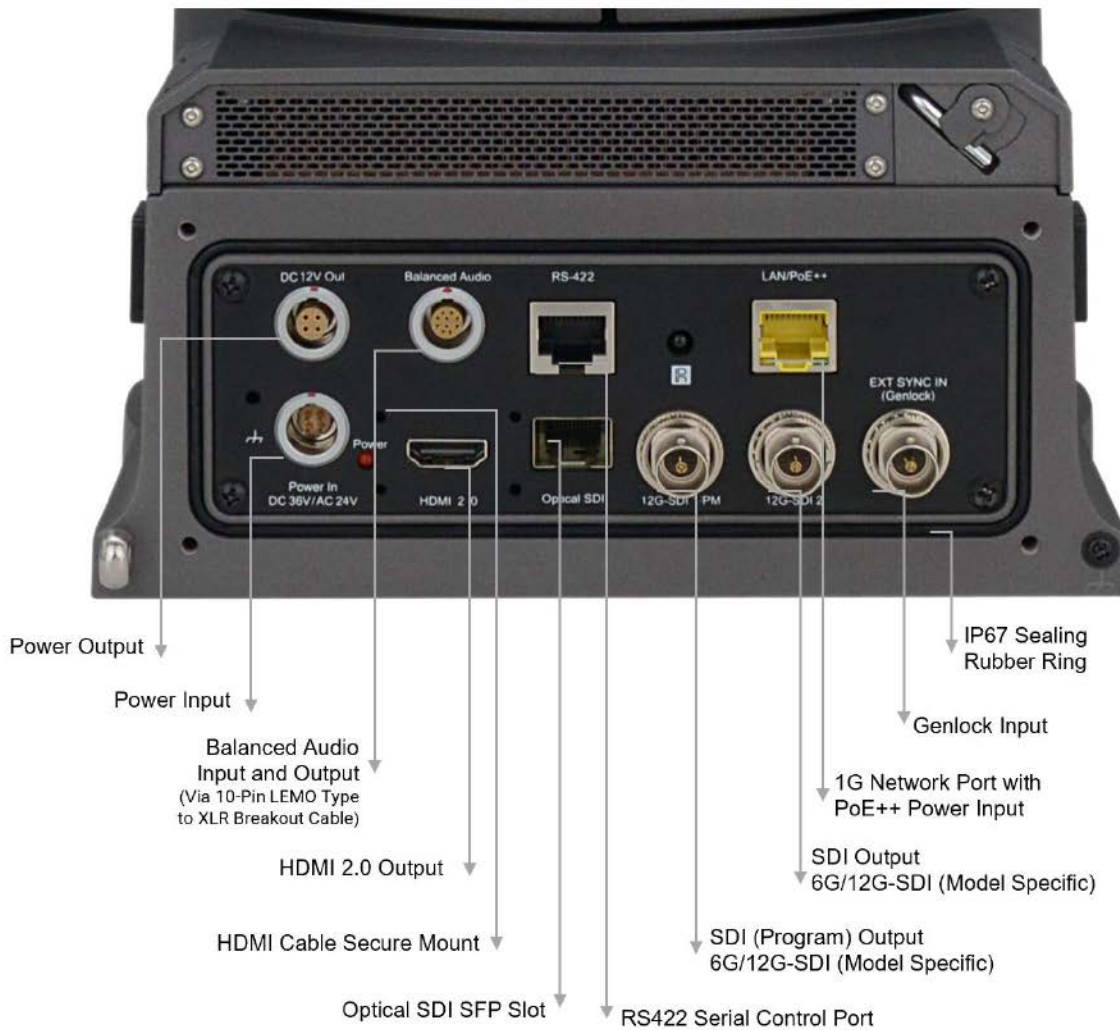


Various Control Methods

- IP Control, Serial Control, IR Remote Control, Rest API-Software Control
- Protocol Supported: NDI Control, VISCA Over IP, ONVIF, VISCA, PELCO P/D, FreeD
- NDI Control is fully compatible with NDI Ecosystem, Tricaster, vMix, OBS, ProPresenter, etc.

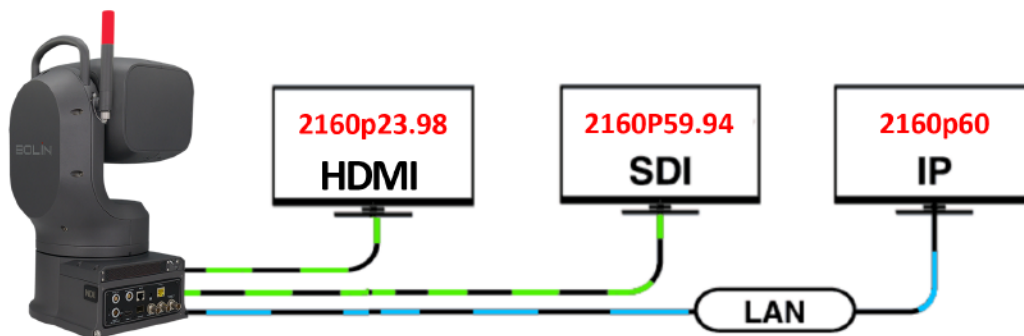


OUTPUT



True Tri-Output

IP, SDI, and HDMI can be set to independent formats for different application use

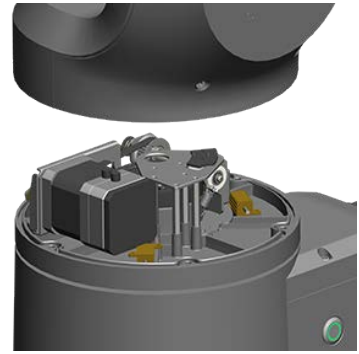


- External Synchronization Genlock
- Audio embedded with all video output
- XLR broadcast audio input/output
- On-screen character generator
- All firmware upgrade via IP
- Tally Light
- Power Output for 3rd device
- POE++ and 24VDC/AC
- Rain Wiper built-in
- Weatherproof IP67 rated with tail cable cover for permanent mount
- Rainwater protection cover with cable support for tripod mount use

RUGGED and DURABLE



Sun Shield and
Hidden-Type Rain Wiper



All stainless Steel/brass/metal
interior mechanical parts



Rainwater protection cover
with cable support
for tripod mount use



Weatherproof IP67 rated
with tail cable cover
for permanent mount use

-
- Wind Load Durability, Non-Destructive and steady operation at up to 60 m/s
 - Heater, Defroster built-in
 - $-40\text{ }^{\circ}\text{C}$ to $60\text{ }^{\circ}\text{C}$ ($-40\text{ }^{\circ}\text{F}$ to $140\text{ }^{\circ}\text{F}$) operational



INSTALLATION

Permanent Installation

- IP67 wall mount bracket (ES-WM)
- Quick release docking system
- Wiring conduit/pipe interface
- Upright/Pendant Mount
- Waterproof compartment for accessories
- Ceiling pendent mount (C-PMBA)



Live Production

- Tripod mount
- Tripod mount rain waterproof rear panel cover
- Cable support
- 1/4", 3/8" tripod threads



Vibration Absorption Platform (VAP-10)

- Use on Stage, Vehicle, Moving Platform, Vibration Prone Environments



Base Mount (QR-BM)

- For flat surface upright mount
- Quick release docking system



MOVEMENT

Smooth and Accurate Movement

- PAN: 340° (-170° to +170°); Fully proportional speed 0.01° to 60°/s
- TILT: 210° (-90° to +120°); Fully proportional speed 0.01° to 60°/s
- Preset: 255 positions, Speed 100°/s, 0~5 Level Adjustable, Accuracy: 0.03°
- Picture Profile Preset
- Motionless Preset
- PTZ Trace Memory
- Quietness less than NC35
- ZDP (Zero Deviation Positioning), Position Deviation Self-Correction



Tally Light

- 360 degree viewable tally light
- Removable when tally light is not needed



SPECIFICATIONS

Model Number	R9-420N
Codec	FPGA Based NDI High Bandwidth
Camera Image	20X 4K60
Image Maker	Bolin
Image Sensor	IMX715, CMOS image sensor 1/2.8 type
Number of effective pixels	8.29MP, 8.29 MP
Picture elements	3840x2160
Lens	20X
Tele Convert Mode	-
Digital Zoom	16X
Horizontal Angle of View	78.59° (W)~4.92° (T)
Vertical Angle of View	48.39° (W)~2.79° (T)
Focal Length	f= 3.55 mm (WIDE) to 63.58 mm (TELE)
Min. object distance	50cm
Aperture	F2.0 (Wide) to F3.8 (Tele)
Min. Illumination	0.5lux (color) , 0.1lux (black)
Shutter Speed	1/1 sec to 1/10000 sec (22 steps)
Focus	Auto, Push, Manual
White Balance	Auto, Indoor, Outdoor,OPW,ATW, Manual
Exposure	Auto, Manual, Shutter /Iris /Brightness priority
Features	Backlight Compensation, E-FLIP, Mirror, Day/Night, Flicker ,Contrast, Effect, SHARPNESS
WDR	120db
ND Filter	-
Image Stabilizer	Yes
Color Gain	Yes
Color Hue	Yes
Gamma	Yes
Gamma Level	0-4
Color Matrix	Yes
Noise Reduction	On/Off (level 5 to 1 / Off, 6 steps), 3D / 2D
S/N Ratio	≥50db
E-Flip	Yes
Defog	Yes
High Sensitivity	Yes
Day/Night	Yes
Backlight Compensation	Yes
AI Face Detection Focus	Yes
AI Face Auto Exposure	Yes
Scene Style	Default, Clear, Bright, Soft, Bolin
Focus Zone	Face Priority, All Area, Upper/Central/Lower Area
Mechanical	
Pan Movement	PAN: 340° (-170° to +170°); Fully proportional 0.05° to 100°/s
Tilt Movement	TILT: 120° (-30° to +90°); Fully proportional 0.05° to 75°/s
Speed Proportional	Pan/Tilt Speed proportional to zoom range
Preset Position	255 positions, Speed 100°/s, 0~5 Level Adjustable, Accuracy: 0.1°
Preset Memory	Picture Profile Preset-Preset Memory for image parameters: Backlight Compensation, White Balance, R-Gain/B-Gain, Auto Exposure, Bright, Iris, Shutter, Gain, Aperture, Effect, Noise Reduction, Mirror, Gamma, Ex-COMP, Color Hue, Contrast etc.)
Motionless Preset	YES, ON/OFF
PTZ Trace Memory	YES, 12
Cruise	YES, 4
Quietness	NC35 Compliant
Home Position	Yes
FreeD	Yes, FreeD protocol for AR/VR camera tracking, via serial control/IP (Via fw upgrade)
Environmental	Indoor, IP50
Interface	
HDMI Video Output	HDMI 2.0 Type A
SDI Video Output	12G-SDI, SMPTE424M /SMPTE292M /SMPTE 296M / SMPTE 274M /SMPTE ST-2081 /SMPTE ST-2082 standards, 75Ω BNC x 2, SDI/PM for output to has OSD display
SDI Optical Fiber Output	Optical 12G-SDI (Module Excluded). Detachable slot, Connector: Duplex LC (optional via ST, LC or SMPTE) Laser Unit: Single-mode 1,310nm DFB-LD transmitter and PIN receiver Complaint with MSA SFP+ Specification SFF-8402.
Network LAN Port	RJ45X1, Standard 10M/100M/1000M Base-TX Ethernet, LAN connector for IP control/video output/audio output/System FW Upgrade
Synchronization System	Internal/External synchronization (BBS/Tri-level sync)
External Sync Input	Genlock, BNC connector, BBS (Black Burst Sync), tri-level sync supported
Audio Input	Balanced XLR (Hirose Connector/via Atomos 10-Pin LEMO Type to XLR Breakout Cable) with 48V Phantom power 3.5mm TRRS for bidirection audio intercom
Audio Output	Balanced XLR (via Atomos 10-Pin LEMO Type to XLR Breakout Cable), embedded with HDMI, SDI, USB and IP 3.5mm TRRS for bidirection audio intercom
Tally Light	Red, Green Color/Front and Rear
Dip Switch	Video Resolution Dip Switch x1
System Firmware Upgrade	Upgrade via IP for camera system MCU, Driver, FPGA and Encoder
Power Connector Type	INPUT: DC12V, connect with screw secure (Type - 5.5mm×2.1mm Male DC Power Plug Connector & Screw Lock Female Panel Socket INPUT: RJ45, PoE++ (IEEE802.3bt)
Control Interface	RJ45X1-RS422, RJ45X1-IP Control, IR Remote Control
Control Protocol	Serial: VISCA, PELCO P/D; IP: VISCA Over IP, ONVIF; FreeD (via Hw Upgrade)

SPECIFICATIONS

Model Number	R9-420N
Codec	FPGA Based NDI High Bandwidth
HDMI Video Signal System	
HDMI Video Format	3840 x 2160p/59.94/60/50/29.97/30/25/23.98/24 1920 x 1080p/59.94/60/50/29.97/30/25/23.98/24 1920 x 1080i/59.94/60/50 1280 x 720p/59.94/60/50
Color Precision	12bit(HDMI), YUV4:2:2, YUV4:2:0
Color Space	YUV, RGB
OSD Menu Display	Yes, with image insert
On-Screen Title	Yes, video embedded On-Screen title character generator
SDI Signal Format	
SDI Video Format	3840 x 2160p/59.94/60/50/29.97/30/25/23.98/24 1920 x 1080p/59.94/60/50/29.97/30/25/23.98/24 1920 x 1080i/59.94/60/50 1280 x 720p/59.94/60/50
Color Precision	10bit(SDI), YUV 4:2:2
Color Space	YUV
Standard	SMPTE 292M , SMPTE 296M (1.5Gb/s), SMPTE 424M, SMPTE 274M, SMPTE 425-A (3Gb/s), SMPTE 2081(6Gb/s), SMPTE 2082-1 (12Gb/s) standard / 75 Ω (BNC x 1), With SMPTE352 SDI Metadata Supported
True Dual Output	HDMI and SDI signal can be output with different format
OSD Menu Display	Yes
On-Screen Title	Yes, video embedded On-Screen title character generator
Network	
Video Compression (Codec)	NDI High Bandwidth, NDI 6 ready, AVC-H.264/HEVC-H.265/MJPEG/MP4 by FPGA
IP Resolution/Frame Rate	3840x2160p/60/50/30/25, 1920x1080p60/50/30/25, 1280x720p60/50
True Dual Output	IP, HDMI, and SDI signal can be set with different format
IP Protocols	TCP/IP, IGMP, ICMP, ARP, QoS, SNMP, UDP, HTTP, DNS, DHCP, FTP, NTP, UPNP, SRT, NDI
Application Protocols	RTMP、RTSP、RTP Streaming (Unicast, Multicast)、MP2TS over UDP (Unicast, Multicast)、TS over RTP、TS over SRT、WebRTC、RTSP Encryption, NDI
Color Format	10bit, YUV 4:2:2
Multi-stream	2 stream
Audio Compression	64Kbps(G.711) / 16Kbps(G.722.1) / 16Kbps(G.726) / 32-128Kbps(MP2L2) / 32-128Kbps(AAC-LC) Selectable
OSD	Customized OSD
Compatible Integration	ONVIF2.4 (Profile S/G/T), VISCA Over IP
Bandwidth (results may vary depending on network configuration and management settings.)	230-270Mbps, 4kp60 10 bit 4:2:2 50-60Mbps, 1080p60 10 bit 4:2:2
Latency (Overall latency may increase depending on network configurations)	NDI certified, <100ms
Browser Support	Cross Browser Compatibility - HTML5 support for Microsoft Edge, Google Chrome, Firefox, and Safari
General	
Operating Temperature	-10 °C to 50 °C (14°F to 122°F)
Operating Humidity	≤80% Suitable for Use (no condensation)
Power Input	DC12V, PoE++(Compatible with IEEE802.3bt, Type 4 Class8)
Power Consumption	Min: 29W (Static state with no movement) Max: 50W (Fully loaded operation)
Installation Method	Stand-alone (Upright) or suspended (Pendent) or Tripod
Mount	Ceiling mount, Wall mount, Tripod
Handle	Built-in for portable use application
Size of Tripod Screw Hole	1 x 1/4" safety bond point
Body Color	Black
Dimension-Camera	201*253*249mm(W*D*H), 201*253*256(with feet mats)
Net Weight	3.8kg (8.36lb)
Accessories Included	IR Remote controller x1, Power adapter and power cord (US, EU, UK), Mounting screws x3, RJ45 to RS422 Extension cable

ORDER INFORMATION

- EXU420N (4K60, 20X, NDI, Dark Grey)

ACCESSORIES

Items marked * are optional to purchase



VCC-RC-2
IR Remote Controller



P36-4
36VDC 4A Power Adapter



EG40N
*NDI Decoder



C-PMSB
*Pendant Mount for Drop Ceiling
/Hard Surface Ceiling



ES-WM
*Wall Mount Bracket



C-PMBA
*Pendant Mount Base Mount Adaptor



QR-BM
*Base Mount



VAP-10
*Vibration Absorb Plate Kits



BL-PP97
*97W POE POWER INJECTOR



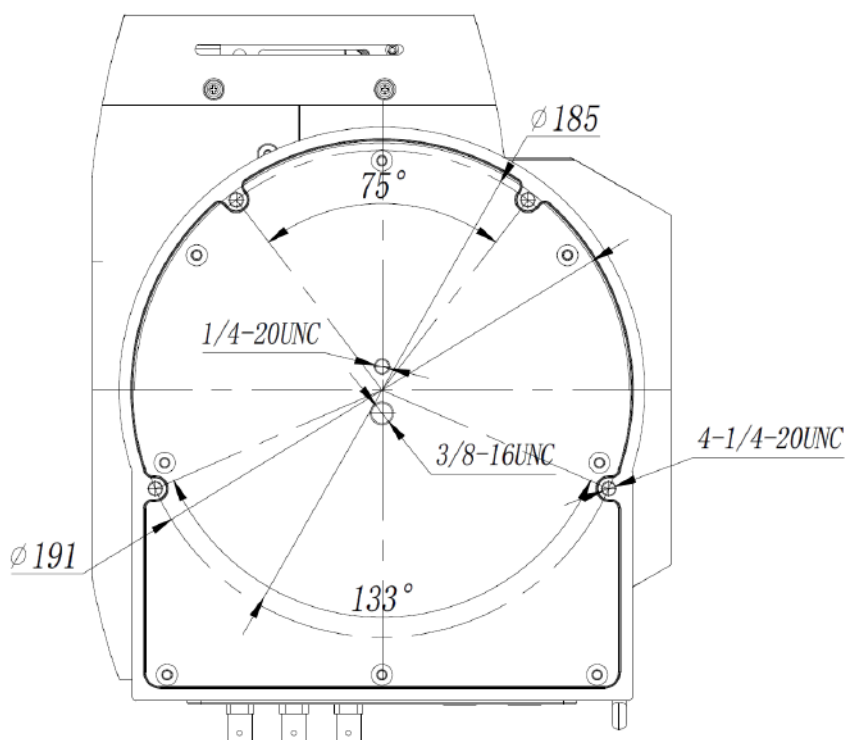
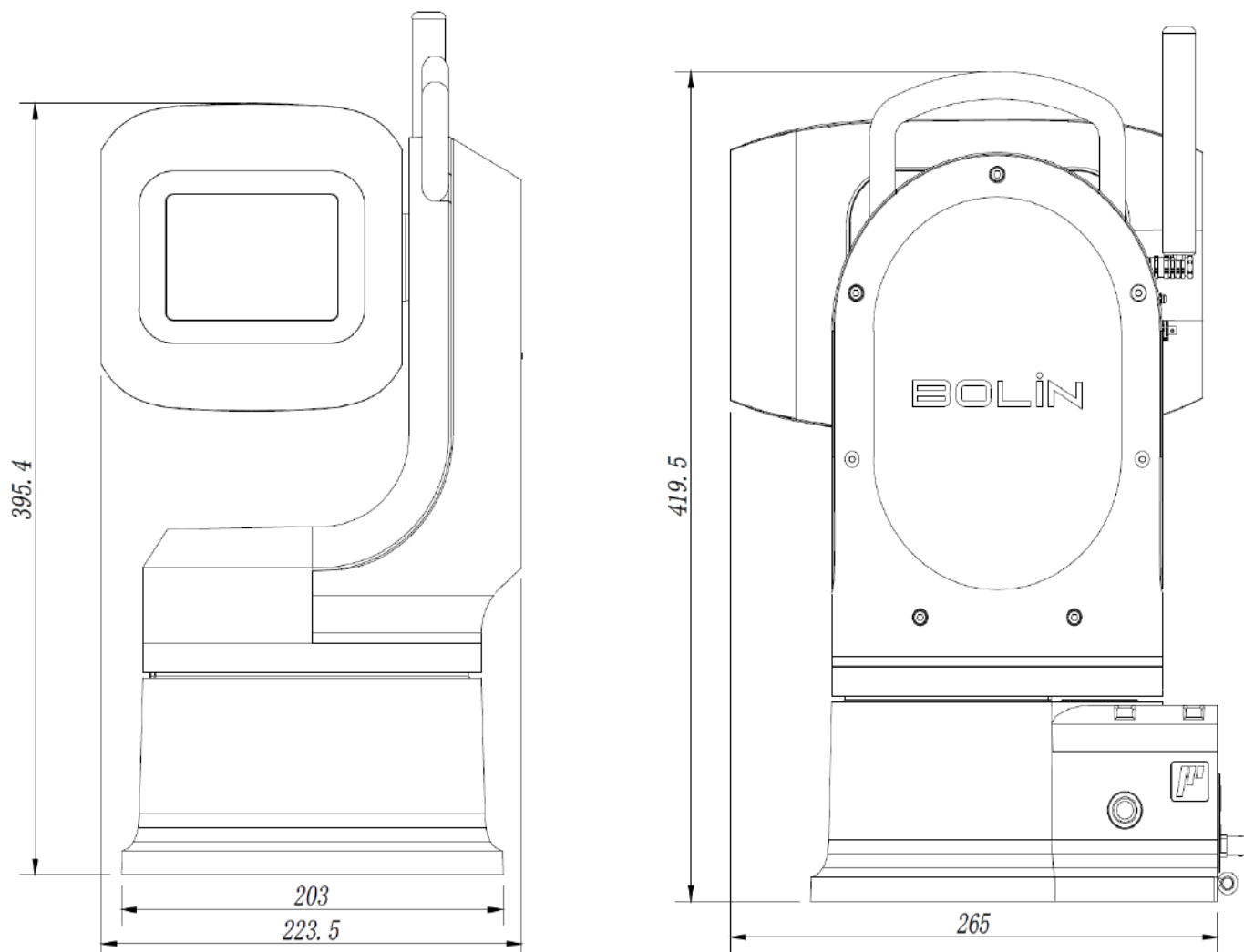
BLA-10
*LEMO connector
10Pin Mini to XLR L/R In/Out



B-OSM-12
*Optical SFP Module Transceiver
12G-SDI

DIMENSIONS

Unit: mm



All models and specifications are subject to change without notice.
All brand names and registered trademarks are the property of their respective owners.