

SCORPION-6

Media Processing Platform — Standalone Frame



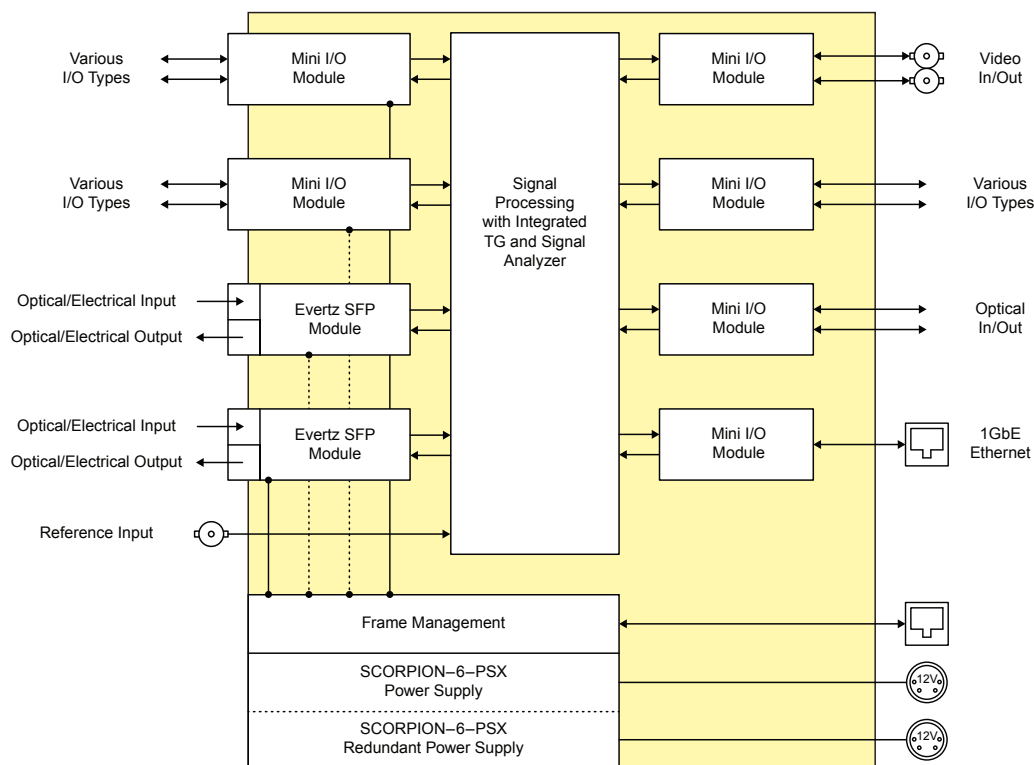
The SCORPION-6 Media Processing Platform is a standalone, compact form factor, multi-service signal conversion, aggregation gateway capable of simultaneously transporting video, audio and data services over Ethernet and fiber networks. Using SCORPION Mini I/O Modules, the SCORPION-6 is highly flexible and can accommodate a multitude of signals including 4K SDI, Ethernet, MADI, AES, HDMI, intercom and serial data. The SCORPION-6 features encapsulation and de-encapsulation to IP over dual 10GbE or 25GbE trunk ports.

When deployed as a flexible IP edge device, the SCORPION-6 becomes part of an integrated, scalable transport network, enabling the sharing of content from different sites using different transport media.

The SCORPION-6 possesses a small fanless form factor, and is designed to be operated in portable and/or low noise environments. SCORPION-6 is ideal for mobile and live sports production applications.

►Features & Benefits

- High density and fully modular in a standalone form factor
- Support for video, audio and data formats over dark fiber and IP networks
- SMPTE ST 2022-2/6/7 and SMPTE ST 2110
- Redundant 10/25GbE connectivity
- 6x single- or 3x dual-slots for MIO modules
- 2x SFP cages for dark fiber or IP connectivity
- Supports MSA SFP devices
- Main and redundant power supplies
- Onboard signal integrity and link analysis
- Control using MAGNUM, VUE, VistaLINK® PRO, inSITE, RESTful API
- Fanless operation in less
- Can fit two units in 2RU rack mount panels if desired



► Specifications

System:	2x SFP cages 6x single- or 3x dual-slots for SCORPION mini I/O modules	Electrical Inputs/Outputs:	Connector: Dependant on SCORPION mini I/O module (see appropriate specifications)	Electrical:	Power Supply Configuration: Dual external supplies (primary/secondary)
Impedance:	Dependant on SCORPION mini I/O module (see appropriate specifications)	Impedance:	Dependant on SCORPION mini I/O module (see appropriate specifications)	Voltage:	DC input 12V DC (external power supplies require 110–220V AC, 50/60Hz)
Connector:	Dependant on SCORPION mini I/O module (see appropriate specifications)	Reference:	Number of Inputs: 1 Connector: BNC IEC 61169.8 Annex A Reference Inputs: Analog 625 or 525, Tri-Level HD Impedance: 75Ω	Power Consumption:	25W empty, 132W fully loaded
Communication and Control:		Physical:	Dimensions: 2.5"H x 8.5"W x 6"D Module Capacity: 2x Evertz SFP modules, up to 6x SCORPION mini I/O modules Operating Temp.: 0–30 °C	Connectors:	12V DC, auto-ranging 100–240V AC 50/60Hz adapter included
Ethernet:	SNMP over IEEE 802.3/U (10/100/1000 BaseTx) RJ-45 connector	Status Indicators:			LED on unit
Control:	SNMP, web access, direct control and control panels	Compliance:		Safety:	CSA listed, complies with EU Safety Directive
				EMC:	Complies with FCC part 15, Class A Complies with EU EMC Directives

► Ordering Information

SCORPION-6 Media Processing Platform — Standalone Frame

Ordering Options:

SCORPION-6-PSX External power supply for SCORPION-6
SCORPION-6-RP1 Single SCORPION-6 19" rack mount kit (2RU)
SCORPION-6-RP2 Dual SCORPION-6 19" rack mount kit (2RU)

► Available Mini I/O Modules * See SCORPION Mini I/O Modules specification document for more details.

MIO-VB-2-12G	12G/6G/3G/HD/SD/ASI video access module	MIO-USB-B	USB-B HID interface
MIO-GE-RJ45-IP	1GbE Ethernet access module with onboard processing	MIO-HDMI-IN-3G	HDMI input access module
MIO-AES-IP	Dual AES67 encapsulator and de-encapsulator	MIO-HDMI-OUT-3G	HDMI output access module
MIO-AES-IN4-IP	Quad AES67 encapsulator	MIO-HDMI-IN-4K	4K SDI or HDMI input module, dual slot
MIO-AES-OUT4-IP	Quad AES67 de-encapsulator	MIO-HDMI-OUT-4K	4K SDI or HDMI output module, dual slot
MIO-AES-D4	AES audio de-embedder module	MIO-HDMI-IN1-4K-IP	HDMI input module with onboard processing, dual slot
MIO-MADI-2-IP	Single MADI encapsulator and de-encapsulator	MIO-HDMI-OUT1-4K-IP	HDMI output module with onboard processing, dual slot
MIO-DANTE-64	Dante® to TDM bridge module	MIO-HDMI-2-4K-IP	HDMI microservice module
MIO-IT-IP	Intercom transceiver module (2x analog audio in/out, 2x serial data, 4x GPIO), dual slot	MIO-BLADE-Z21	Microservice module
MIO-AVT	Analog video/Black Burst transmit module with loop out	MIO-DE4-3G	3G/HD/SD-SDI SCTE/data/LTC/GPI embedding module
MIO-AVR	Analog video/Black Burst receive module	MIO-DD4-3G	3G/HD/SD-SDI SCTE/data/LTC/GPI de-embedding module
MIO-USB-A	USB-A HID interface		

► Recommended QSFP/SFP Modules * See SCORPION Compatible SFPs specification document for more details.

SFPTR-13	SFP optical non-reclocked transceiver, 3Gb/s, 1310nm, SMF	SFP3Txx/yy-2	SFP dual optical non-reclocked transmitter, 3Gb/s, CWDM, SMF
SFPTR-13-R	SFP optical reclocked transceiver, 3Gb/s, 1310nm, SMF	SFP3R-2	SFP dual optical non-reclocked receiver, 3Gb/s, standard sensitivity, SMF
SFP3TR-13-12G	SFP optical reclocked transceiver, 12Gb/s, 1310nm, SMF	SFPTR-RJ45-SGM-AV	Single 10/100/1Gbps RJ-45 SFP module
SFP12G-T13-2	SFP optical reclocked dual transmitter, 12Gb/s, 1310nm, SMF	SFP25G-TR13	SFP, 25Gb/s, SMF
SFP12G-R-2	SFP optical reclocked dual receiver, 12Gb/s, 1310nm, SMF	SFP10G-TR13-A	SFP, 10Gb/s, SMF
SFPTR-M-HDBNC-R	SFP electrical reclocked transceiver, 12Gb/s, HD-BNC		
SFP3T13-2	SFP dual optical non-reclocked transmitter, 3Gb/s, 1310nm, SMF		
SFP3T13-2-S	SFP dual optical non-reclocked transmitter, 3Gb/s, short haul 1310nm, SMF		