

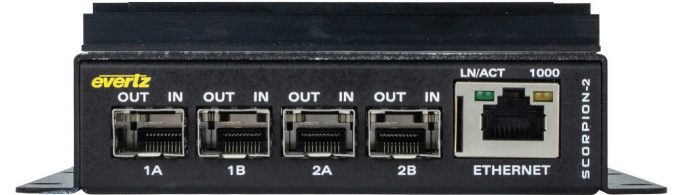
SCORPION-2

Media Processing Platform — Miniature Frame

The SCORPION-2 Media Processing Platform is a miniature form factor, multi-service signal conversion, aggregation enclosure capable of simultaneously transporting video, audio and data services over Ethernet or fiber networks. Using the SCORPION series of Mini I/O Modules, the SCORPION-2 is highly flexible and can accommodate a multitude of signals including single-link 12Gb/s SDI, Ethernet, MADI, AES, HDMI, intercom and serial data. The SCORPION-2 will take on the function of the mini I/O module installed and can become a standalone IP gateway or dark fiber media converter.

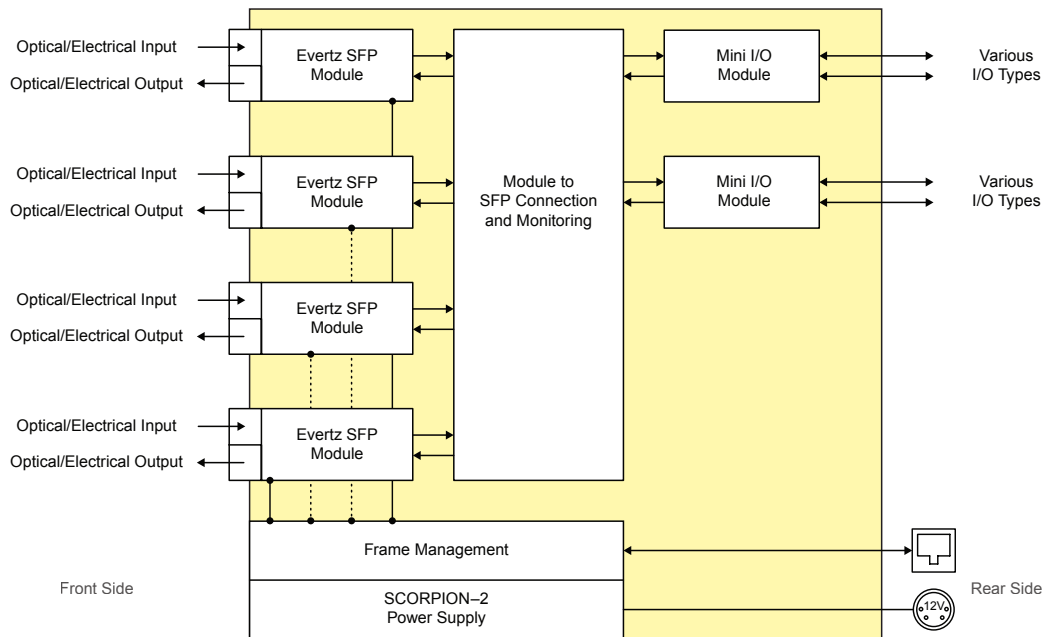
When combined with other SCORPION form factors including the 1RU SCORPION-X18 or SCORPION-4, the SCORPION-2 becomes part of an integrated, scalable transport network, enabling the sharing of content from different sites using different transport media.

The SCORPION-2 possesses a compact fanless form factor, and is designed to be operated in portable and/or low noise environments. SCORPION-2 is ideal for mobile and live sports production applications.



► Features & Benefits

- High density and fully modular in a miniature form factor
- All in one platform to handle video, audio, data transport needs
- Up to 2x single-slot or 1x dual-slot mini I/O modules fit the standalone frame
- Up to 4x SFP ports for transport connectivity
- Supports MSA SFP transceivers
- Diverse signal types such as 12G/6G/3G/HD/ASI, Ethernet, serial data, HDMI, USB and Intercom
- Onboard signal integrity and link analysis
- Multiple control options including SNMP, web access, control panels and MAGNUM
- Fanless operation with integrated heat sink for power dissipation



► Specifications

System		Electrical Inputs/Outputs		Electrical	
Density:	4x SFP's 2x SCORPION mini I/O modules	Connector:	Dependant on SCORPION mini I/O module (see appropriate specifications)	Voltage:	DC input 12V DC
Impedance:	Dependant on SCORPION mini I/O module (see appropriate specifications)	Impedance:	Dependant on SCORPION mini I/O module (see appropriate specifications)	Power Consumption:	25W empty, 132W fully loaded
Connector:	Dependant on SCORPION mini I/O module (see appropriate specifications)			Connectors:	12V DC, auto ranging 100–240V AC 50/60Hz adapter included
Communication and Control		Physical		Status Indicators:	LED on unit
Ethernet:	SNMP over IEEE 802.3/U (10/100/1000 BaseTx) RJ-45 connector	Dimensions:	1.25"H x 4.25"W x 6"D	Compliance	
Control:	SNMP, web Access, direct control and control panels	Module Capacity:	4x Evertz SFP modules 4x SCORPION mini I/O modules	Safety:	CSA listed, complies with EU Safety Directive
		Operating Temp.:	0–50 °C	EMC:	Complies with FCC part 15, Class A Complies with EU EMC Directives

► Ordering Information

SCORPION-2	Media Processing Platform — Miniature Frame
-------------------	---

► Available Mini I/O Modules * See SCORPION Mini I/O Modules specification document for more details.

MIO-VB-2-12G	12G/6G/3G/HD/SD/ASI video access module	MIO-USB-B	USB-B HID interface
MIO-GE-RJ45-IP	1GbE Ethernet access module with onboard processing	MIO-HDMI-IN-3G	HDMI input access module
MIO-AES-IP	Dual AES67 encapsulator and de-encapsulator	MIO-HDMI-OUT-3G	HDMI output access module
MIO-AES-IN4-IP	Quad AES67 encapsulator	MIO-HDMI-IN-4K	4K SDI or HDMI input module, dual slot
MIO-AES-OUT4-IP	Quad AES67 de-encapsulator	MIO-HDMI-OUT-4K	4K SDI or HDMI output module, dual slot
MIO-AES-D4	AES audio de-embedder module	MIO-HDMI-IN1-4K-IP	HDMI input module with onboard processing, dual slot
MIO-MADI-2-IP	Single MADI encapsulator and de-encapsulator	MIO-HDMI-OUT1-4K-IP	HDMI output module with onboard processing, dual slot
MIO-DANTE-64	Dante® to TDM bridge module	MIO-HDMI-2-4K-IP	HDMI microservice module
MIO-IT-IP	Intercom transceiver module (2x analog audio in/out, 2x serial data, 4x GPIO), dual slot	MIO-BLADE-Z21	Microservice module
MIO-AVT	Analog video/Black Burst transmit module with loop out	MIO-DE4-3G	3G/HD/SD-SDI SCTE/data/LTC/GPI embedding module
MIO-AVR	Analog video/Black Burst receive module	MIO-DD4-3G	3G/HD/SD-SDI SCTE/data/LTC/GPI de-embedding module
MIO-USB-A	USB-A HID interface		

► Recommended QSFP/SFP Modules * See SCORPION Compatible SFPs specification document for more details.

SFPTR-13	SFP optical non-relocked transceiver, 3Gb/s, 1310nm, SMF	SFP3Txx/yy-2	SFP dual optical non-relocked transmitter, 3Gb/s, CWDM, SMF
SFPTR-13-R	SFP optical relocked transceiver, 3Gb/s, 1310nm, SMF	SFP3R-2	SFP dual optical non-relocked receiver, 3Gb/s, standard sensitivity, SMF
SFP3TR-13-12G	SFP optical relocked transceiver, 12Gb/s, 1310nm, SMF	SFPTR-RJ45-SGM-AV	Single 10/100/1Gbps RJ-45 SFP module
SFP12G-T13-2	SFP optical relocked dual transmitter, 12Gb/s, 1310nm, SMF	SFP25G-TR13	SFP, 25Gb/s, SMF
SFP12G-R-2	SFP optical relocked dual receiver, 12Gb/s, 1310nm, SMF	SFP10G-TR13-A	SFP, 10Gb/s, SMF
SFPTR-M-HDBNC-R	SFP electrical relocked transceiver, 12Gb/s, HD-BNC		
SFP3T13-2	SFP dual optical non-relocked transmitter, 3Gb/s, 1310nm, SMF		
SFP3T13-2-S	SFP dual optical non-relocked transmitter, 3Gb/s, short haul 1310nm, SMF		